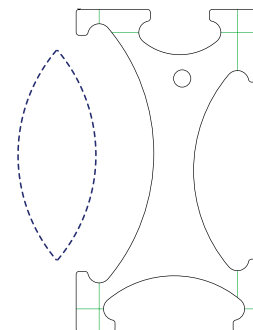




## Pointed Leaf/Oval Instructions

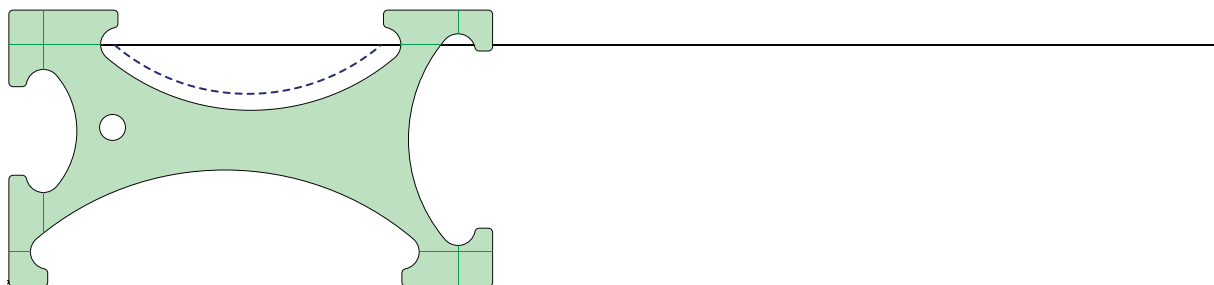
The Pointed Leaf/Oval is a multi size tool  
Overall size: 4" x 7", 1/4" thick acrylic

This tool was designed to create the pointed leaf/oval stitched line using a long-, mid-, or short-arm machine. It has a variety of uses beyond a simple leaf/oval.

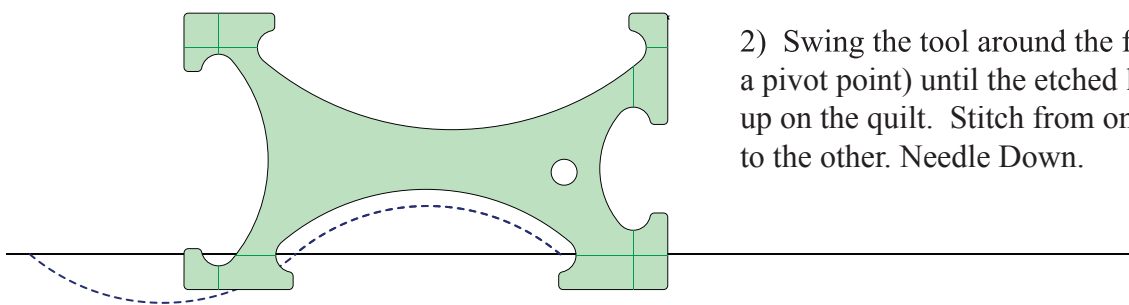


### Create a Wave

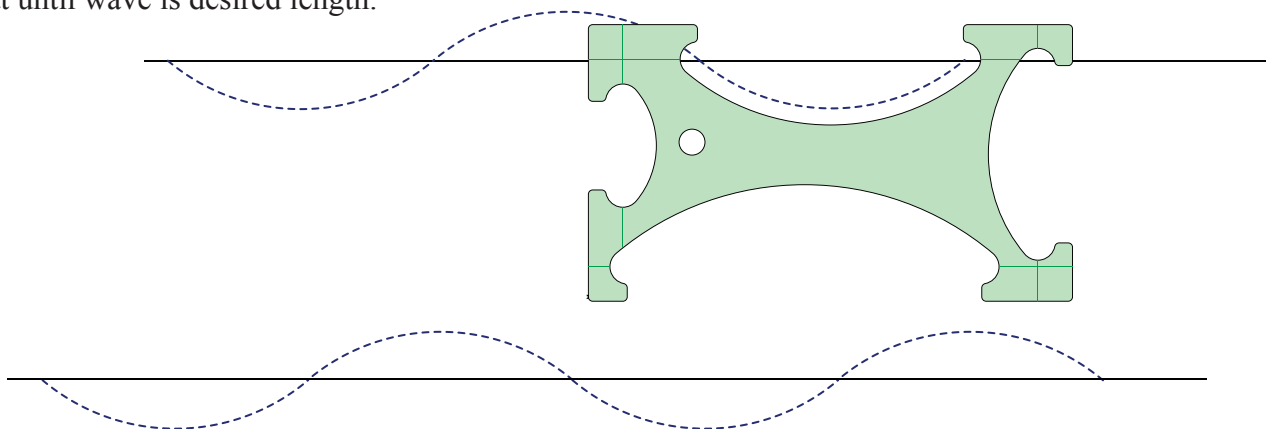
1) Using either a line drawn (or chalked) on the quilt or a seam, you can create a simple wave. Use the etched lines in the tool to align the chosen size leaf/oval over the seam or line. Stitch from one end of the opening to the other. Needle Down.



2) Swing the tool around the foot (using the foot as a pivot point) until the etched lines are again lined up on the quilt. Stitch from one end of the opening to the other. Needle Down.



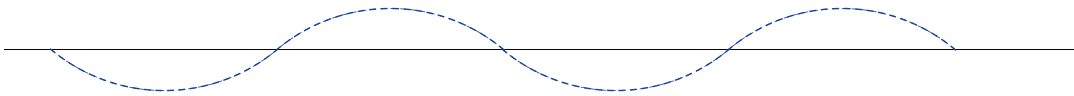
3) Repeat until wave is desired length.



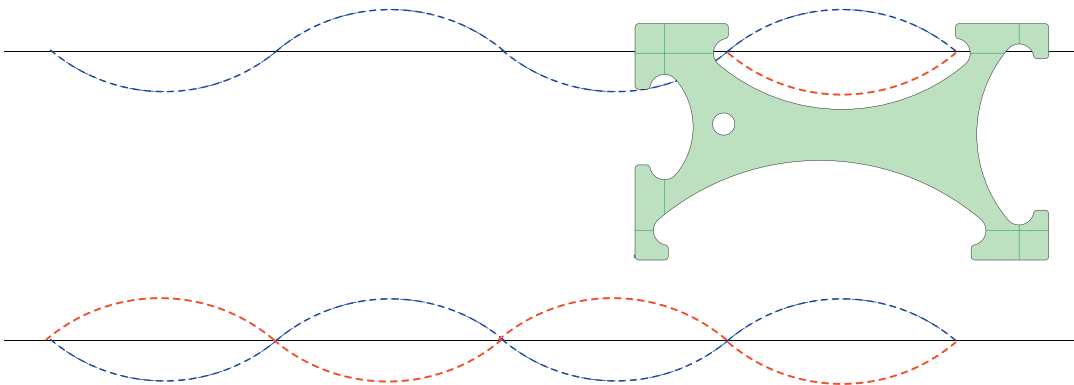
# Create a Simple Chain

- 1) Start by creating a wave.
- 2) To create a chain, repeat the wave steps on the opposite side of your wave. (See illustration)

Step 1



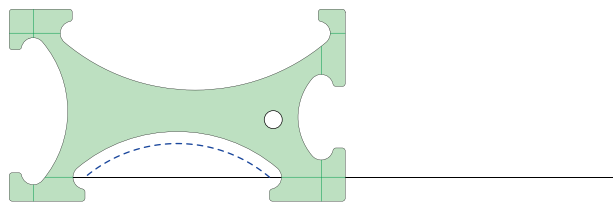
Step 2



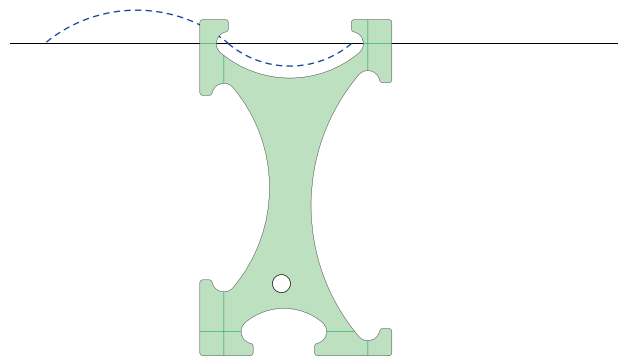
## Multiple Sizes

Use multiple sizes of the tool to create a chain with multiple size links. (See illustration)

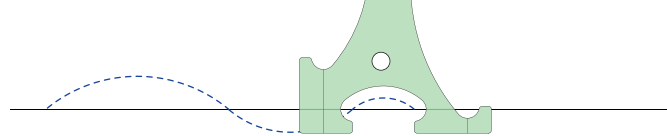
Step 1



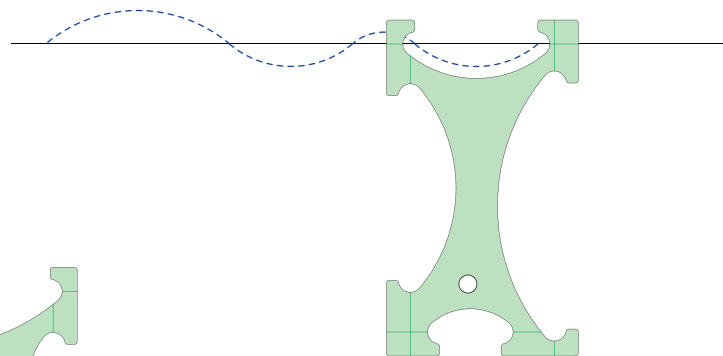
Step 2



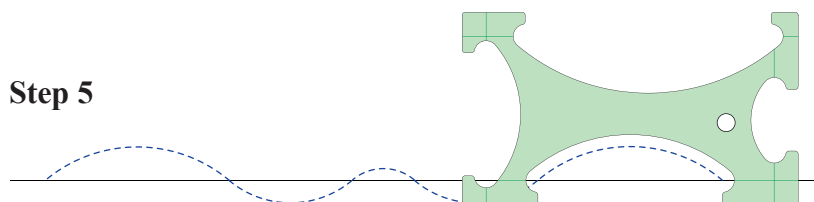
Step 3



Step 4

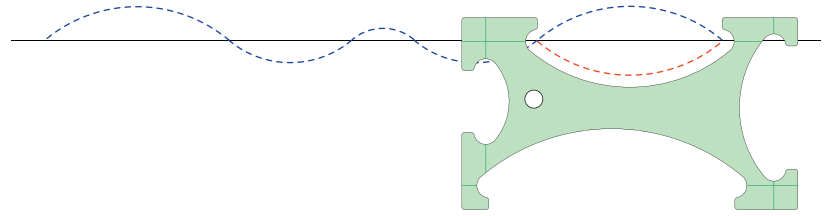


Step 5

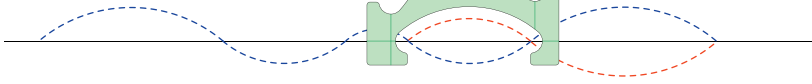


## Multiple Sizes - Continued

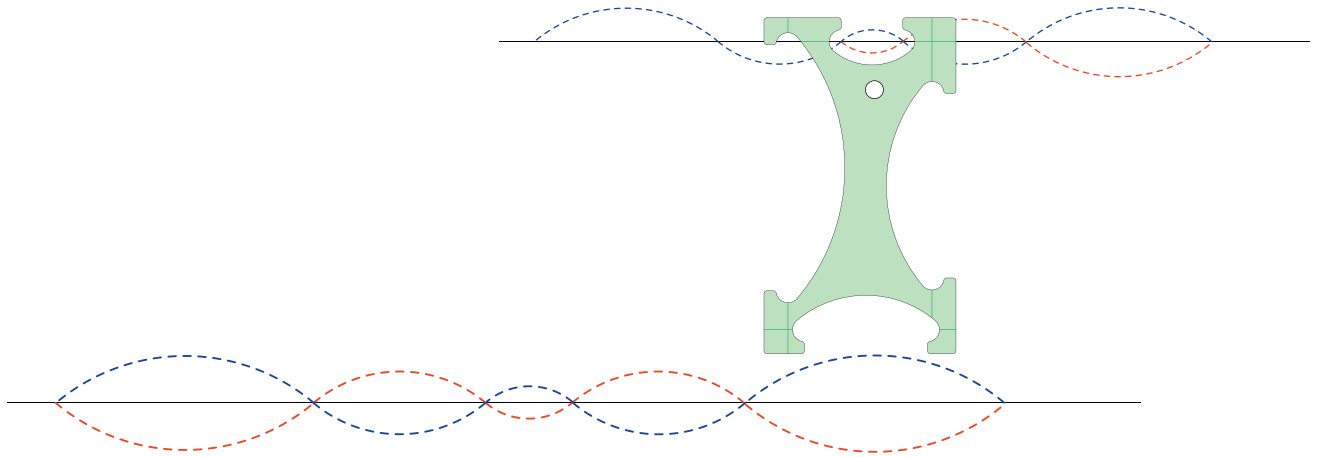
Step 6



Step 7



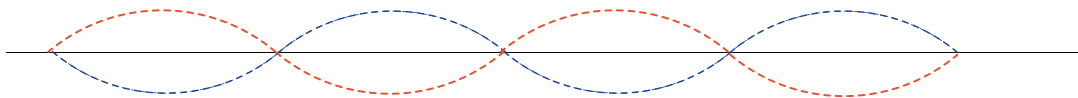
Step 8



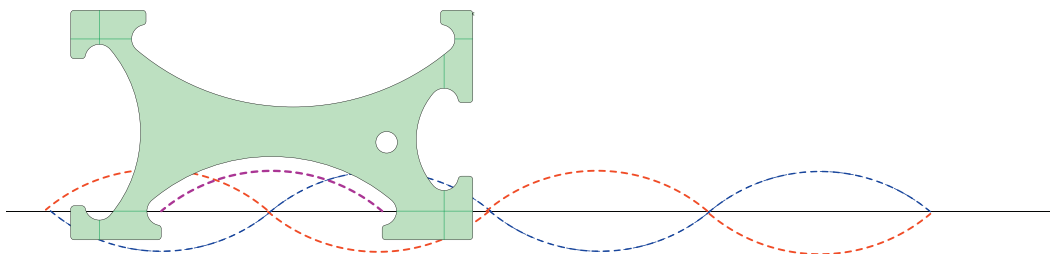
## Interlocking Chain

Once you have completed one chain, start a second chain in the middle of the first link. (See illustrations)

Step 1

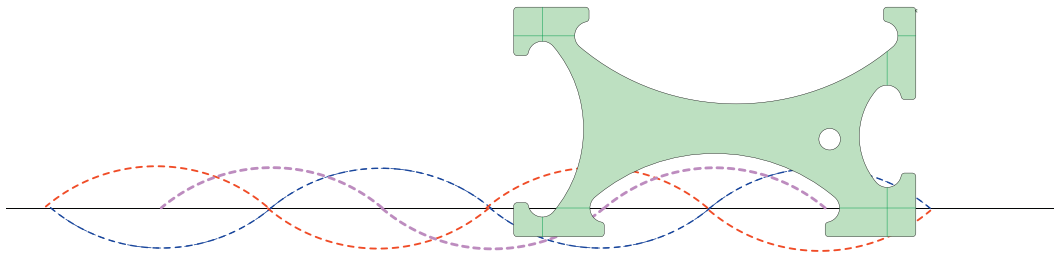


Step 2

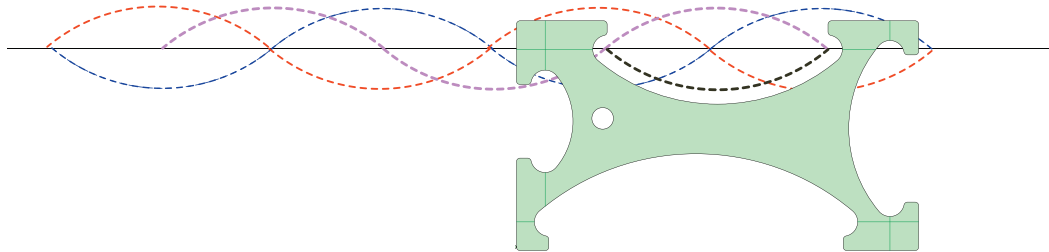


# Interlocking Chain - Continued

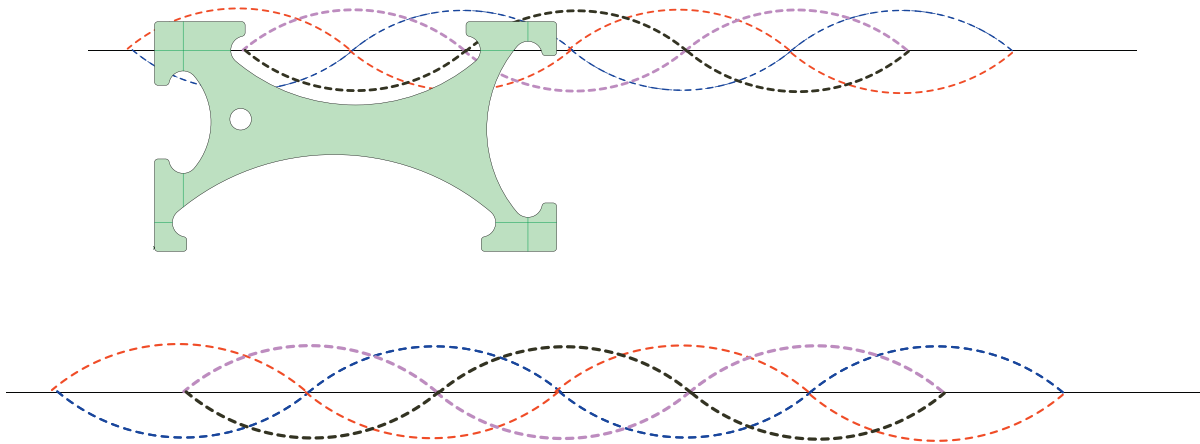
Step 3



Step 4



Step 5



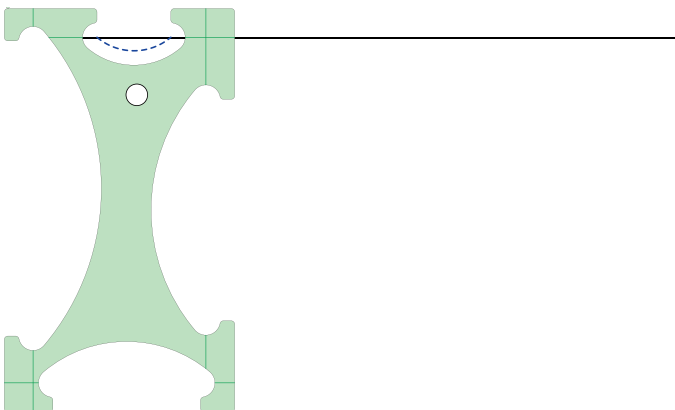
## Chain Variation - Drop Leaf

Drop Leaf: Using the smallest opening and the largest opening, you can create a simple Drop Leaf Chain.

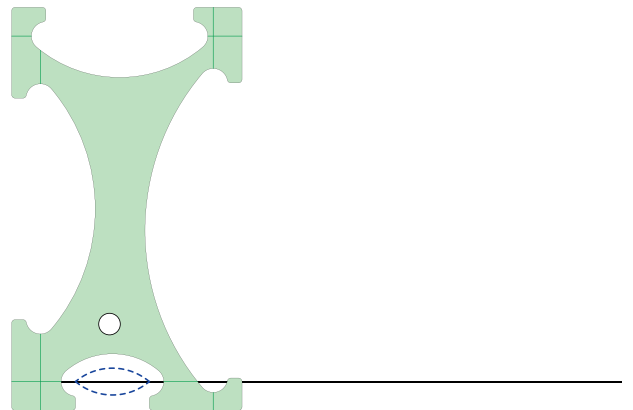
The steps are:

- A. Left side of smallest leaf
- B. Right side of smallest leaf
- C. Left side of largest leaf

Step 1

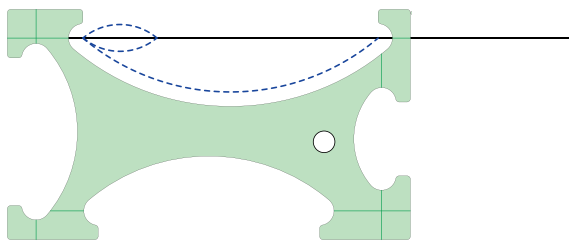


Step 2

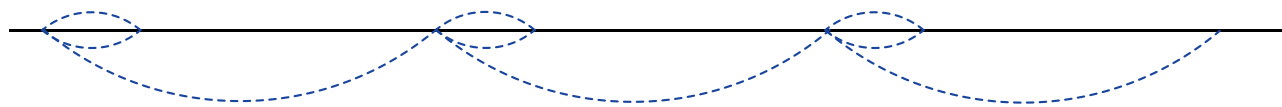
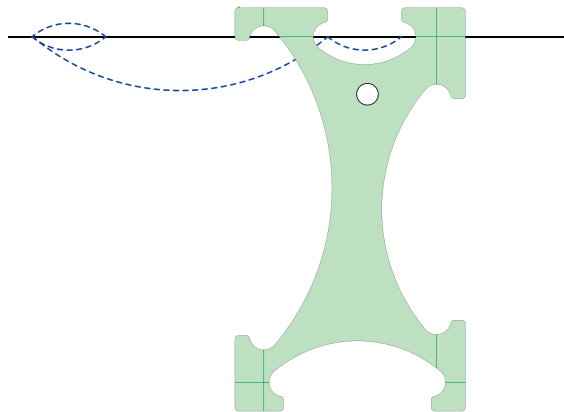


# Chain Variation - Drop Leaf - Continued

Step 3



Step 4

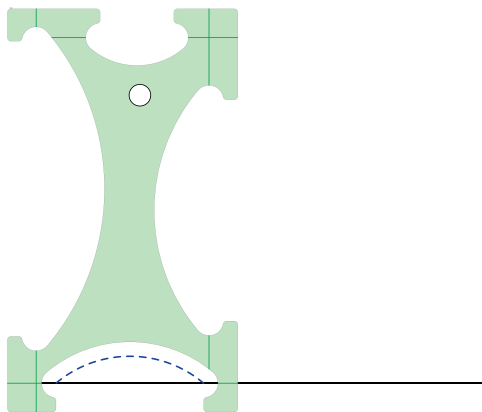


# Chain Variation - Umbrella

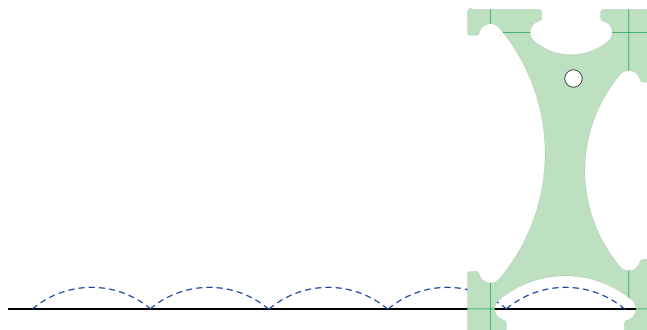
Umbrella – Uses the two smallest openings. The steps are:

- A. The second smallest opening all the way down the line.
- B. The smallest opening back up the line. Two small ones fit inside one larger one.

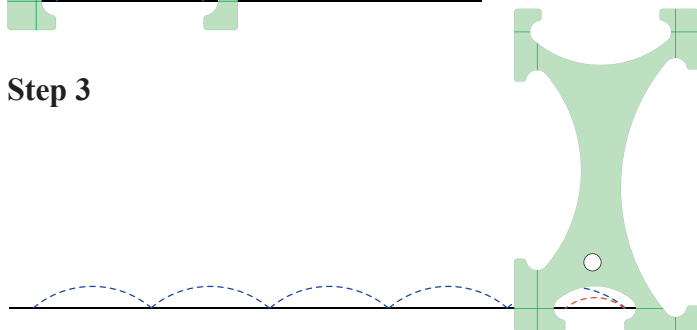
Step 1



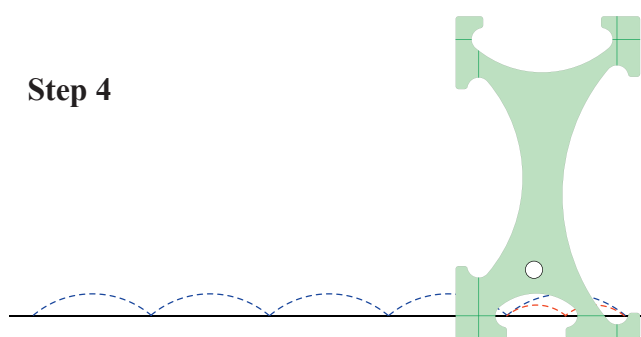
Step 2



Step 3



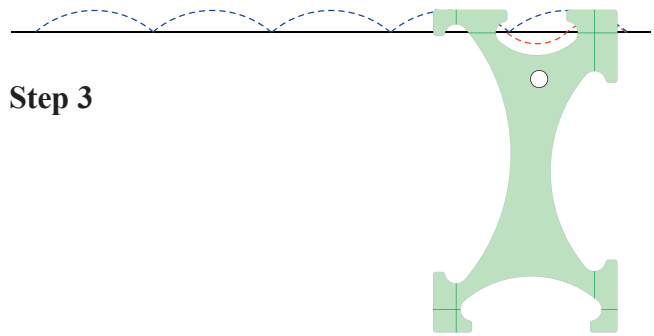
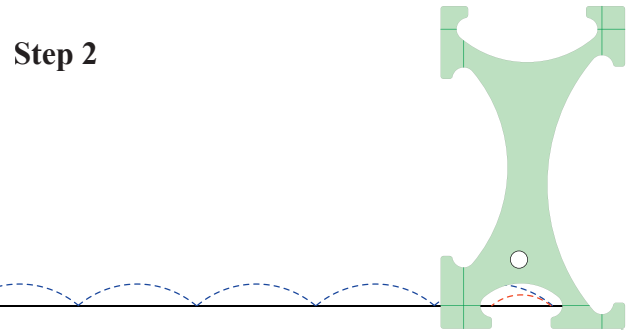
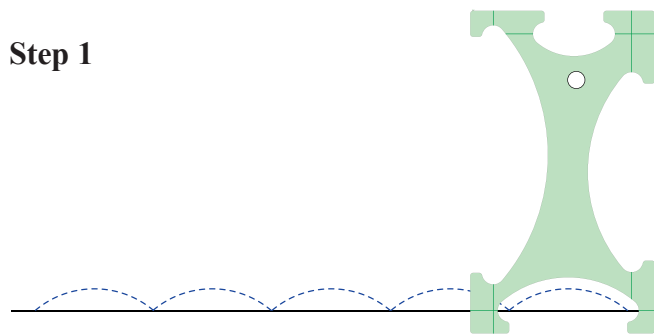
Step 4



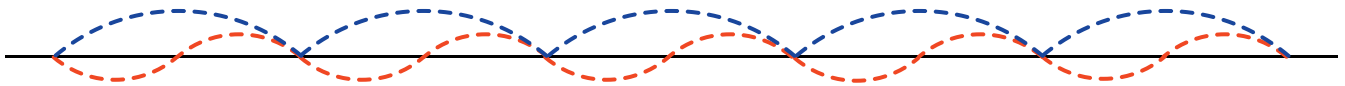
# Chain Variation - Apostrophe

Apostrophe – Uses the two smallest openings. The steps are:

- A. The second smallest opening all the way down the line.
- B. The smallest opening in a “wave” pattern.

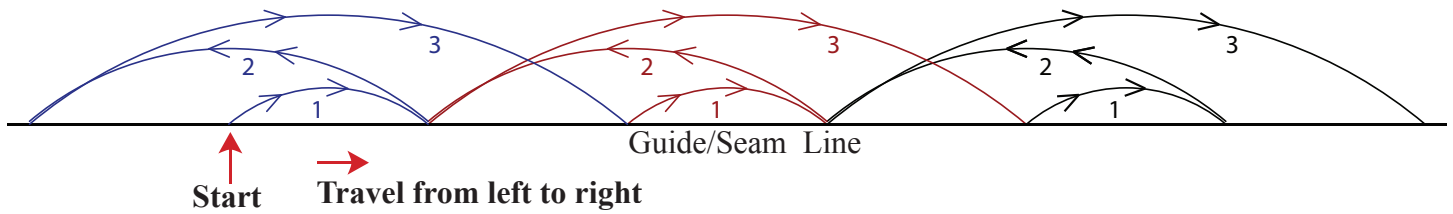


Repeat step 2 and 3 to completion.



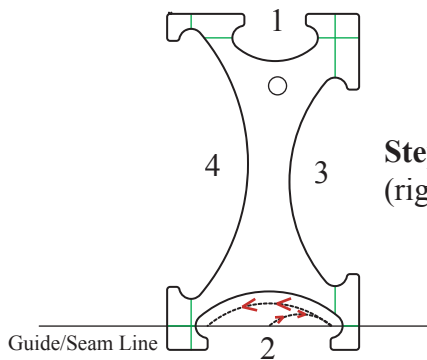
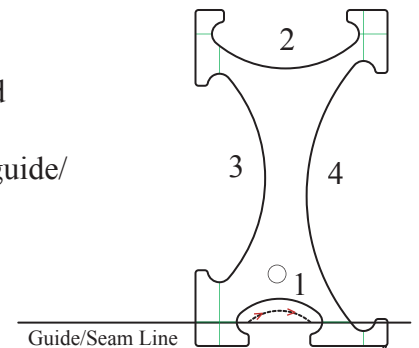
# Complex Design

## Continuous 3 Arc Interlock



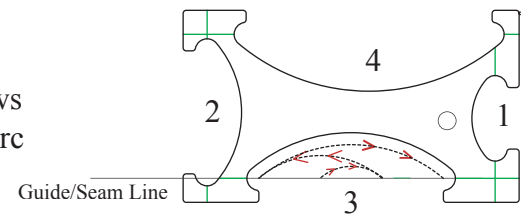
### Creating a 3 Arc Interlocking Border

**Step 1** - We have numbered the sizes for ease of explaining. Line up the etched lines on the tool with your drawn guide line or seam line. Stitch following the directions of the arrows. Start with Arc 1, stitch from left to right, stopping at guide/seam line. Needle down.

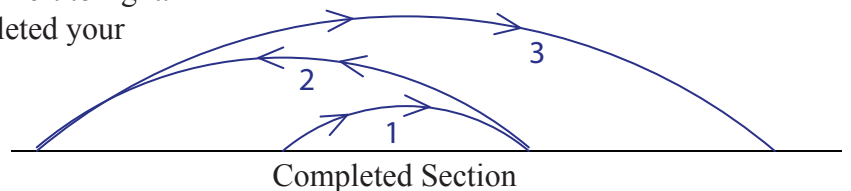


**Step 2** - Rotate tool to Arc 2. Stitch following the direction of the arrows (right to left). Stop at guide/seam line. Needle down.

**Step 3** - Rotate tool to Arc 3. Stitch following the direction of the arrows (left to right). Needle down. This completes the first section of the 3 Arc Interlocking border.



**Step 4** - To continue, rotate tool to Arc 1, stitch left to right. Continue with steps 2 - 4 until you have completed your border.



Note: Any 3 Arcs used will travel from left to right. Create a 4 Arc Interlock by using all sides. This border will travel from right to left.

### Continuous 4 Arc Interlock

